

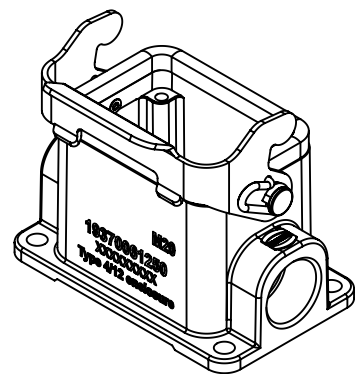
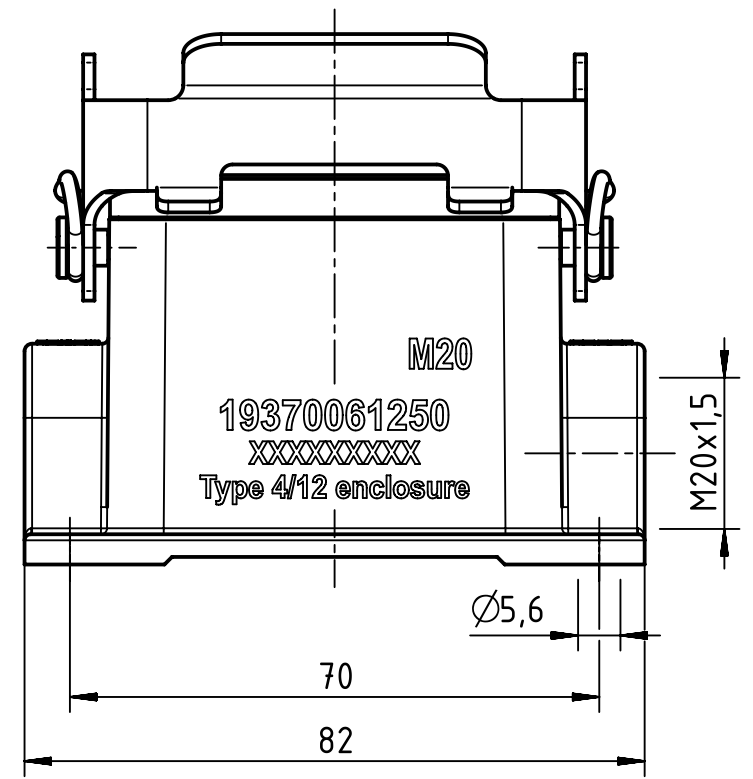
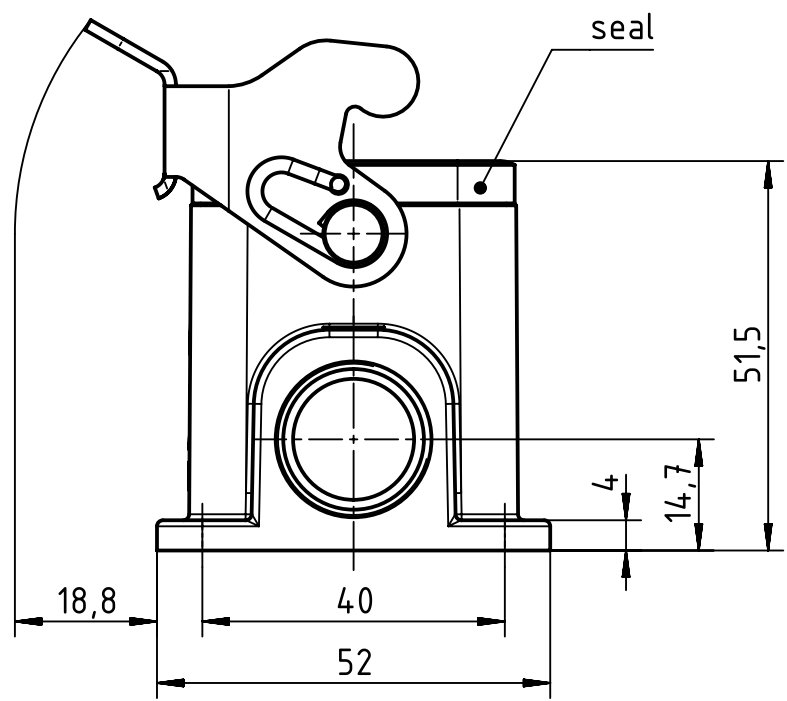
1 2 3 4 5 6


A

B

C

D



	All Dimensions in mm Original Size DIN A4		Scale 1:1	Free size tol.		Ref.
	All rights reserved		Created by 102700	Inspected by SUNDERMEIER	Standardisation RUETERA	Sub.
Department EL PD		Title Han 6M-HSM1-SL-M20		Date 2020-02-20	State Final Release	
HARTING Electric GmbH & Co. KG D-32339 Espelkamp		Type TB	Number 19 37 006 1250			Doc-Key / ECM-Nr. 100696626/UGD/005/B 500000167150
					Rev. B	Page 1/1